



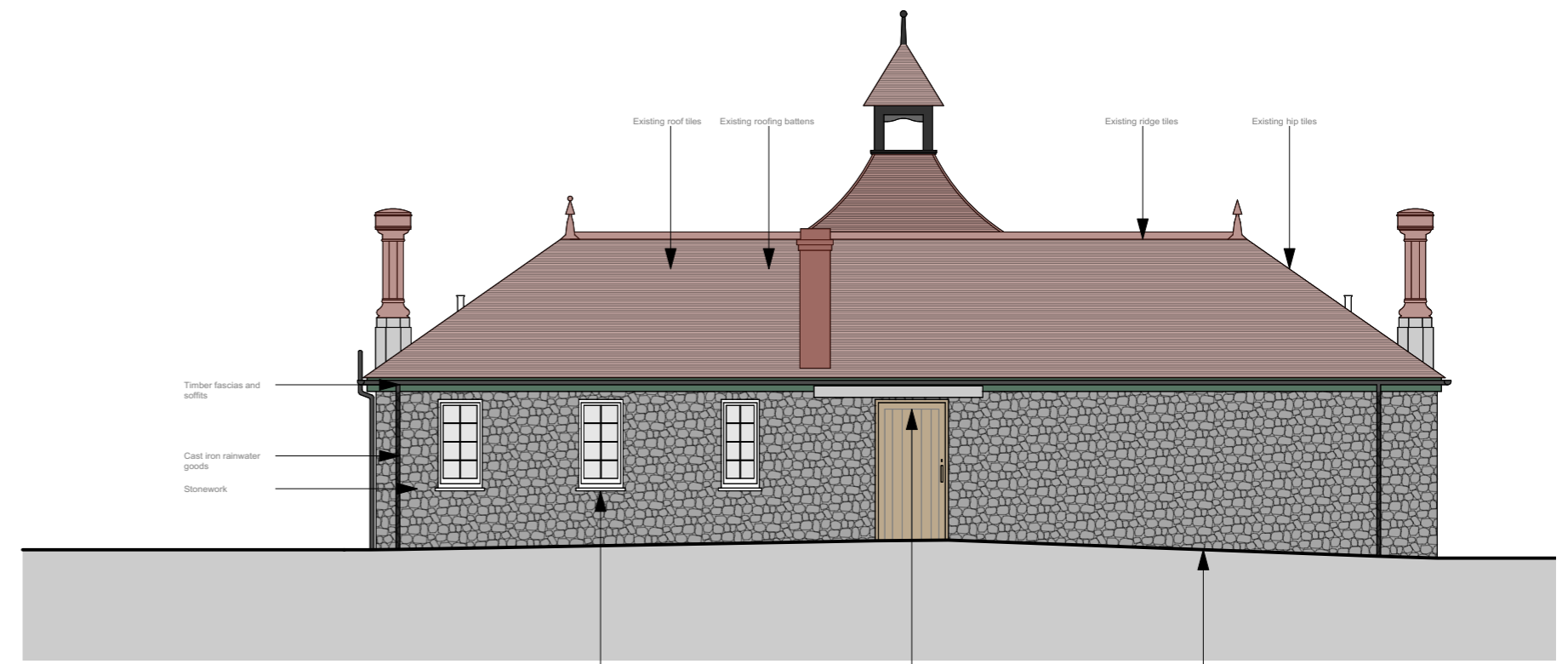
East Elevation - AA



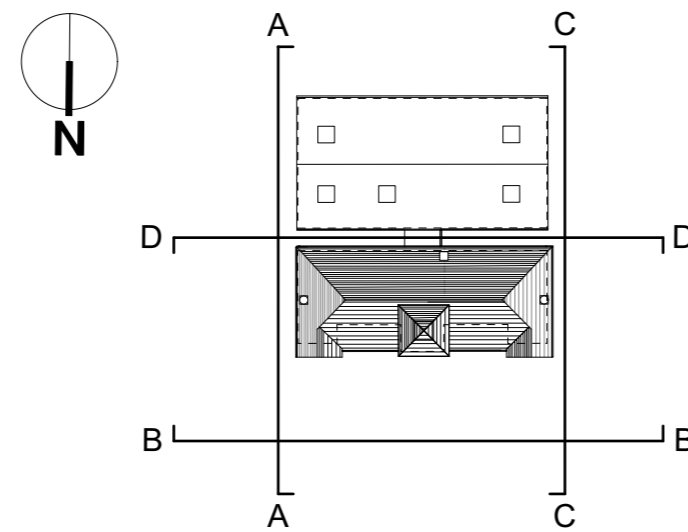
North Elevation - BB



West Elevation - CC

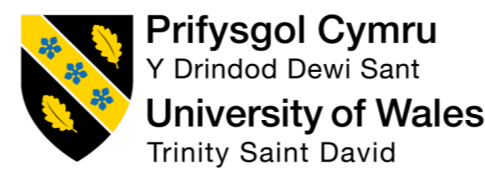
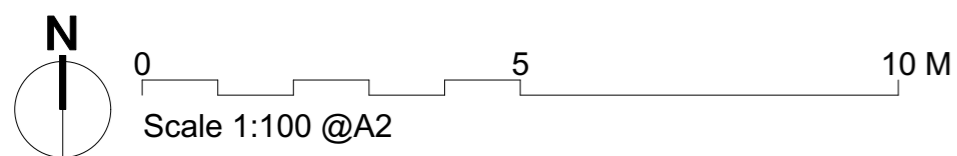


South Elevation - DD



Location Plan - NTS

Based on Berry Geomatics survey dated July 2020.



Chartered Architects
Chartered Building Surveyors
Interior Designers
CDM Services

Glentworth Court, Lime Kiln Close
Stoke Gifford, Bristol BS34 8SR
+44 (0)117 931 2062
www.kendallkingscott.co.uk

Project
Lampeter, Pontfaen Road
Client
Aldi Stores Ltd.

Scale 1:100
Paper Size ISO A2
Filename 190866 PAVILION.vwx
© Copyright Do not scale this drawing

P2 05/11/2021 DM JS Existing materials notes added
P1 26/08/21 JKCJS Drawing Issue

Rev Date By Ap Note

Drawing Title

Project Number Drawing Number Revision

Existing Elevations Pavilion

190866-1200 P2

Date Drawn Checked Purpose/Status

26/08/21 JKC JS PLANNING

Check all dimensions and levels on site

Only to be used on the site for which designed. The electronic transmission of designs/information contained in this drawing is carried out entirely at the User's risk and Kendall Kingscott Ltd. will have no liability for any errors or inaccuracies arising therefrom. The production of amended or updated information from the said designs/information by the User is entirely the responsibility of the User and Kendall Kingscott Ltd. shall have no responsibility in respect thereof whatsoever.